

HL250M Dri-Prime® Pump

The Godwin Dri-Prime HL250M pump is an extremely powerful yet compact pump with flow capabilities to 1,224 m³/hr and discharge heads to 117 metres.

The HL250M features the unique Godwin high pressure oil bath mechanical seal design. This allows for dry running for prolonged periods while automatically priming and repriming. Able to perform in the toughest conditions, the HL250M can handle solids up to 65 mm in diameter. This makes it an extremely effective pump, suitable for both slurry and clean water applications. The powerful HL250M has proven itself a pump of choice for mines, quarries and many other high capacity applications.



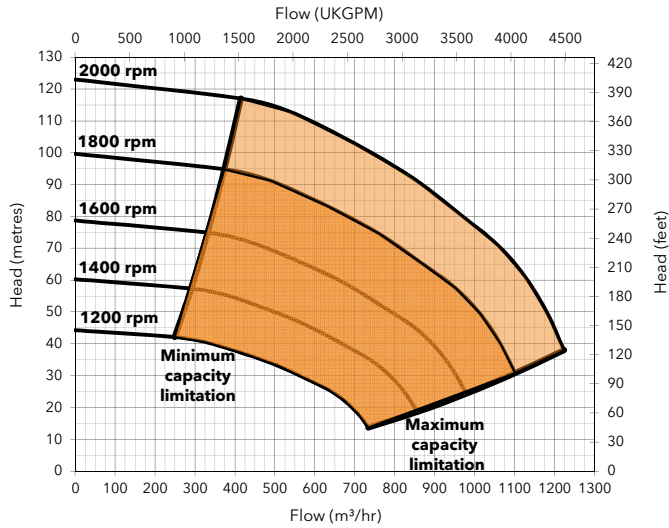
Features and Benefits

- Fully automatic priming from dry to 8.5 metres suction lift.
- Godwin Dri-Prime is a continuously operated Venturi air ejector priming device which requires no periodic adjustment or control.
- Extensive application flexibility. It will handle sewage, slurries and liquids with solids up to 65 mm in diameter.
- Dry-running high pressure oil bath mechanical seal, with high abrasion resistant silicon carbide faces.
- A Close-coupled centrifugal pump with Godwin Dri-Prime system mounted to a diesel engine or electric drive.
- All cast iron construction (stainless steel construction option available) with cast steel impeller.
- Also available as Hush-Pac or as a bareshaft pumpend.
- Standard build engines; Caterpillar C15, Volvo TAD1251VE, Volvo TAD951VE. Other engine options are available.

Specifications

Suction connection	300 mm (12" BS10 Table 'D')
Delivery connection	250 mm (10" BS EN 1092 PN16)
Max capacity	1224 m ³ /hr
Max Head	117 metres
Max Solids handling	65 mm
Max Impeller diameter	440 mm
Max operating temp	80 °C
Max working pressure	12.1 bar
Max suction pressure	6.0 bar
Max casing pressure	18.1 bar
Max operating speed	2000 rpm

Performance Curve



Engine option 1

Price list ref - HL250M-01-DBO-001

Caterpillar, C15, 315.0 kW @ 2000 rpm

Impeller diameter 440 mm

Pump Speed 2000 rpm

Suction Lift Table

Total Suction Head (metres)	Total Delivery Head (metres)				
	38	53	76	96	114
	Output (m³/hr)				
3.0	1215	1150	975	760	450
4.6	1200	1142	950	750	375
6.1	1100	1050	952	720	330
7.6	875	850	800	683	-

Fuel capacity (Full) 1225 litres, (Usable) 993 litres

Fuel consumption @ 2000 rpm BEP 77 litres/hour

Weight: (Dry) 5,840 kg, (Wet) 7,000 kg

Dimensions: (L) 4,000 x (W) 1,950 x (H) 2,350 mm

Performance data provided in tables is based on water tests at sea level and 20°C ambient. All information is approximate and for general guidance only. Please contact the factory or office for further details.

Materials

Pump casing & suction cover	Cast iron BS EN 1561 - 1997
Wearplates	Cast Iron BS EN 1561 - 1997
Pump Shaft	Carbon steel BS EN 1561 - 1997
Impeller	Cast Steel BS3100 A5 Hardness to 200 HB Brinell
Non-return Valve body	Cast Iron BS EN 1561 - 1997
Mechanical Seal Faces	Silicon carbide vs silicon carbide

Engine option 2

Price list ref - HL250M-01-DBO-003

Volvo, TAD1251VE, 269.0 kW @ 1800 rpm

Impeller diameter 440 mm

Pump Speed 1800 rpm

Suction Lift Table

Total Suction Head (metres)	Total Delivery Head (metres)				
	28	41	59	75	90
	Output (m³/hr)				
3.0	1094	1035	878	684	405
4.6	1080	1028	855	675	338
6.1	990	945	857	648	297
7.6	788	765	720	615	-

Fuel capacity (Full) 1225 litres, (Usable) 993 litres

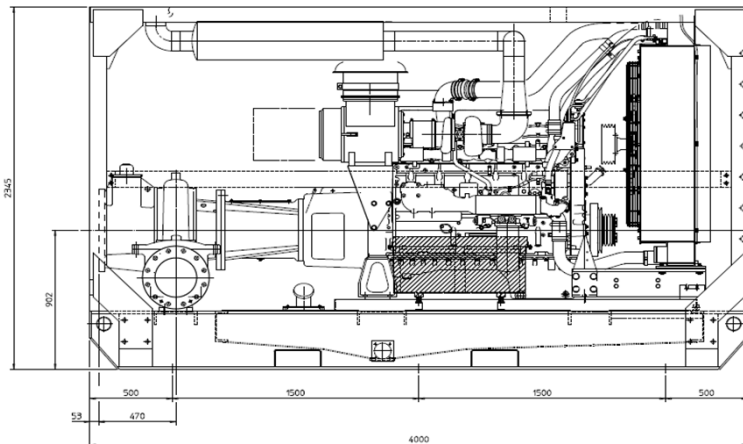
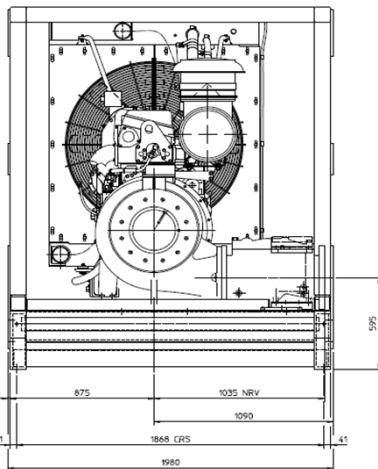
Fuel consumption @ 1800 rpm BEP 57 litres/hour

Weight: (Dry) 5,340 kg, (Wet) 6,460 kg

Dimensions: (L) 4,000 x (W) 1,950 x (H) 2,350 mm

Performance data provided in tables is based on water tests at sea level and 20°C ambient. All information is approximate and for general guidance only. Please contact the factory or office for further details.

HL250M CAT C15 ACERT



Global Industries
Hamriyah Free Zone - PH1,
Sharjah, UAE



Assessed to ISO 9001:2008
Certificate N° 1027

Reference number : 95-1114-1000
Date of issue : 05 December 2012
Issue : 11