

# HL110M Dri-Prime® Pump

The Godwin Dri-Prime HL110M pump is an extremely powerful yet compact pump with flow capabilities to 114 m<sup>3</sup>/hr and discharge heads to 187 metres.

The HL110M features the unique Godwin high pressure oil bath mechanical seal design. This allows for dry running for prolonged periods while automatically priming and repriming. Able to perform in the toughest conditions, the HL110M can handle solids up to 20 mm in diameter. This makes it an extremely effective pump, suitable for both slurry and clean water applications. The powerful HL110M has proven itself a pump of choice for mines, quarries and many other high capacity applications.



## Features and Benefits

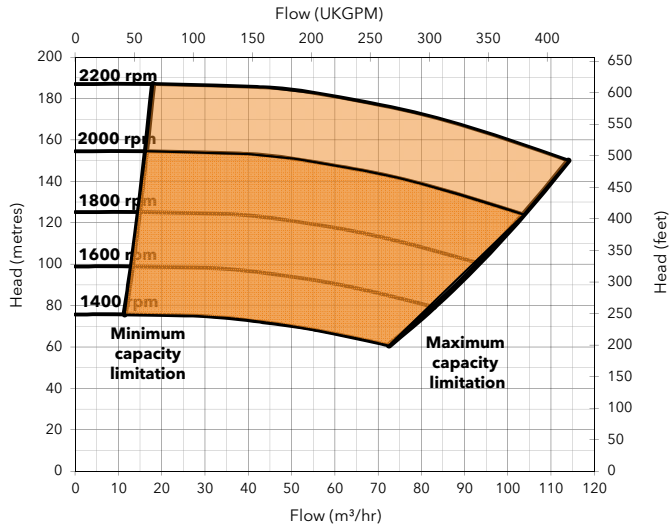
- Fully automatic priming from dry to 8.5 metres suction lift.
- Godwin Dri-Prime is a continuously operated Venturi air ejector priming device which requires no periodic adjustment or control.
- Extensive application flexibility. It will handle sewage, slurries and liquids with solids up to 20 mm in diameter.
- Dry-running high pressure liquid bath mechanical seal, with high abrasion resistant Silicon carbide faces.
- A Close-coupled centrifugal pump with Godwin Dri-Prime system mounted to a diesel engine or electric drive.
- All cast iron construction (stainless steel construction option available) with cast steel impeller.
- Also available as Hush-Pac or as a bareshaft pumpend.
- Standard build engines; Perkins 1106D-E66TA (129), Perkins 1104D-E44TA. Other engine options are available.

## Specifications

Suction connection	100 mm (4" BS10 Table 'D')
Delivery connection	80 mm (3" BS EN 1092 PN25)
Max capacity	114 m <sup>3</sup> /hr
Max Solids handling	20 mm
Max Impeller diameter	465 mm
Max operating temperature	80 °C *
Max pressure	18.3 bar
Max suction pressure	6.0 bar
Max casing pressure	27.5 bar
Max operating speed	2200 rpm

\* Please contact our office for applications in excess of 80°C.

# Performance Curve



## Engine option 1

Price list ref - HL110M-30-DBO-002

Perkins, 1106D-E66TA (129), 103.5 kW @ 2200 rpm

Impeller diameter 465 mm

Pump Speed 2200 rpm

### Suction Lift Table

Total Suction Head (metres)	Total Delivery Head (metres)				
	139	154	166	174	180
	Output (m³/hr)				
3.0	121	105	88	72	55
4.6	119	99	83	66	39
6.1	116	94	77	61	33
7.6	110	88	66	44	-

Fuel capacity (Full) 475 litres, (Usable) 388 litres

Fuel consumption @ 2000 rpm 26.7 litres/hour

Weight: (Dry) 2,950 kg, (Wet) 3,025 kg

Dimensions: (L) 2,950 x (W) 1,300 x (H) 2,261 mm

Performance data provided in tables is based on water tests at sea level and 20°C ambient. All information is approximate and for general guidance only. Please contact the factory or office for further details.

# Materials

Pump casing & suction cover	Cast steel BS3100 A5
Wearplates	High Chrome Cast Iron Hardened to 625 HB Brinell
Pump Shaft	Carbon steel BS3100 A5
Impeller	Cast Steel BS3100 A5 Hardness to 200 HB Brinell
Non-return Valve body	Cast Steel BS3100 A5 Hardness to 200 HB Brinell
Mechanical Seal Faces	Silicon carbide vs silicon carbide viton

## Engine option 2

Price list ref - HL110M-30-DBO-001

Perkins, 1104D-E44TA, 74.1 kW @ 2000 rpm

Impeller diameter 465 mm

Pump Speed 2000 rpm

### Suction Lift Table

Total Suction Head (metres)	Total Delivery Head (metres)				
	114	127	137	143	148
	Output (m³/hr)				
3.0	110	95	80	65	50
4.6	108	90	75	60	35
6.1	105	85	70	55	30
7.6	100	80	60	40	-

Fuel capacity (Full) 390 litres, (Usable) 318 litres

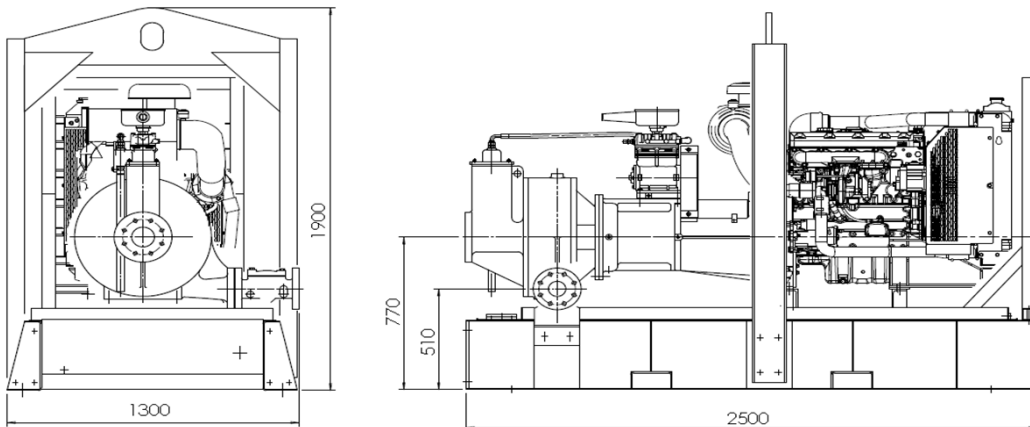
Fuel consumption @ 2000 rpm 18.5 litres/hour

Weight: (Dry) 2,300 kg, (Wet) 2,650 kg

Dimensions: (L) 2,500 x (W) 1,300 x (H) 1,900 mm

Performance data provided in tables is based on water tests at sea level and 20°C ambient. All information is approximate and for general guidance only. Please contact the factory or office for further details.

HL110M - Perkins 1104D-E44TA



**Global Industries**  
Hamriyah Free Zone - PH1,  
Sharjah, UAE



Reference number : 95-1115-1000  
Date of issue : 04 September 2013  
Issue : 11

Assessed to ISO 9001:2008  
Certificate N° 1027